

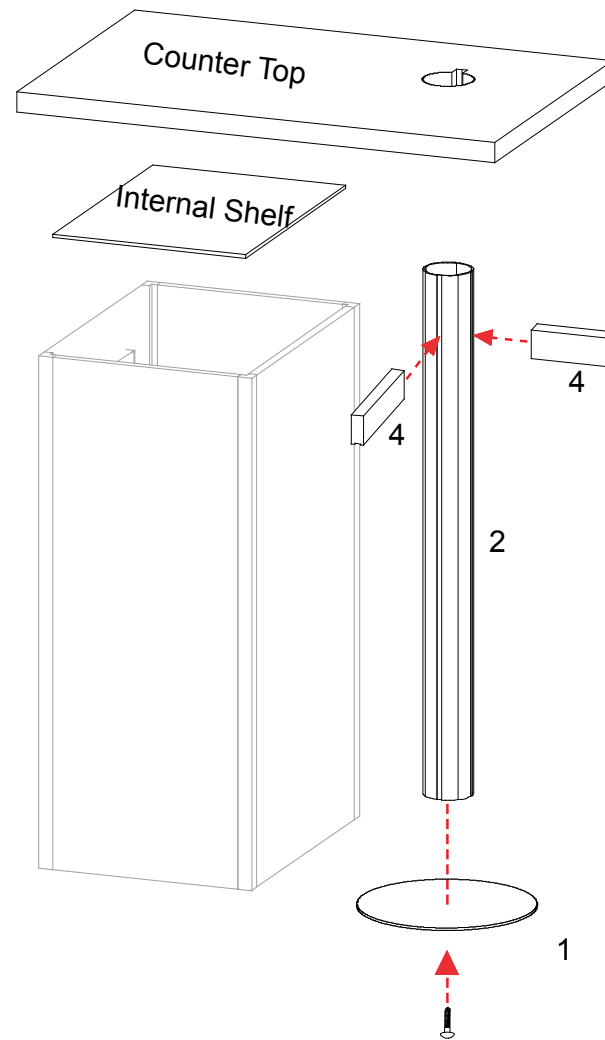
# euro lt | HYBRIDS

## Modul Extrusion System

Item	QTY	Description
1	1	Base Plate
2	1	38.875" h Lower Round Vertical Extrusion
3	1	38.875" h Upper Round Vertical Extrusion
4	2	Counter Support Extrusion

### Steps (Cont'd):

- Place internal shelf atop supports.
- Attach base plate [1] to vertical extrusion [2].
- Attach counter support [4] to vertical extrusion [2] where indicated.
- Slide counter top on round extrusion [2] and rest on assembled base and support.

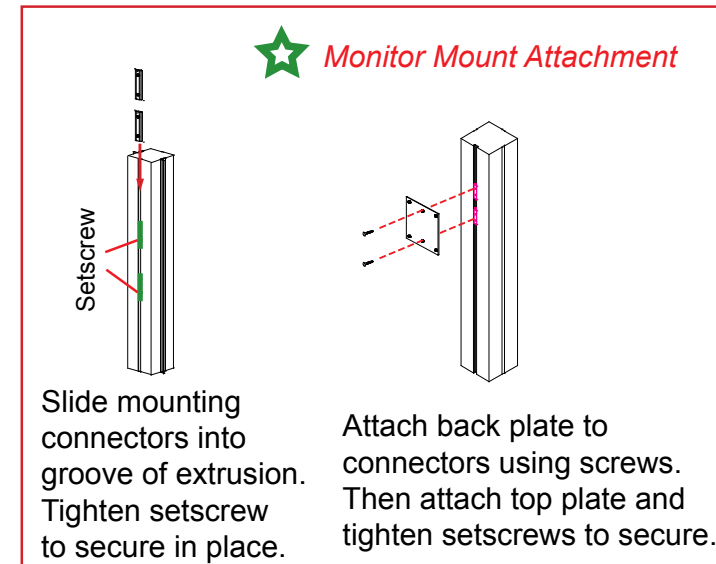
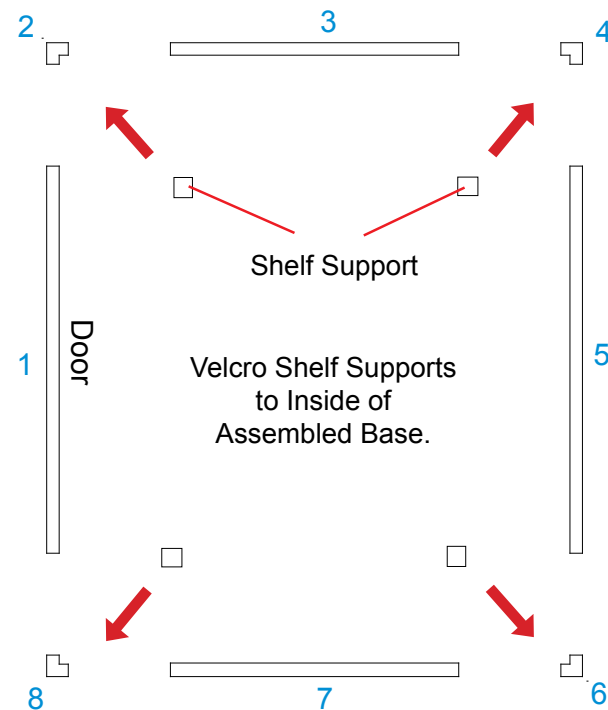


## EURO LT Panel System

Item	Description
1	19" w x 38" h Door Panel
2	38" h 90° Connector
3	14.125" w x 38" h Flat Panel
4	38" h 90° Connector
5	19" w x 38" h Door Panel
6	38" h 90° Connector
7	14.125" w x 38" h Flat Panel
8	38" h 90° Connector

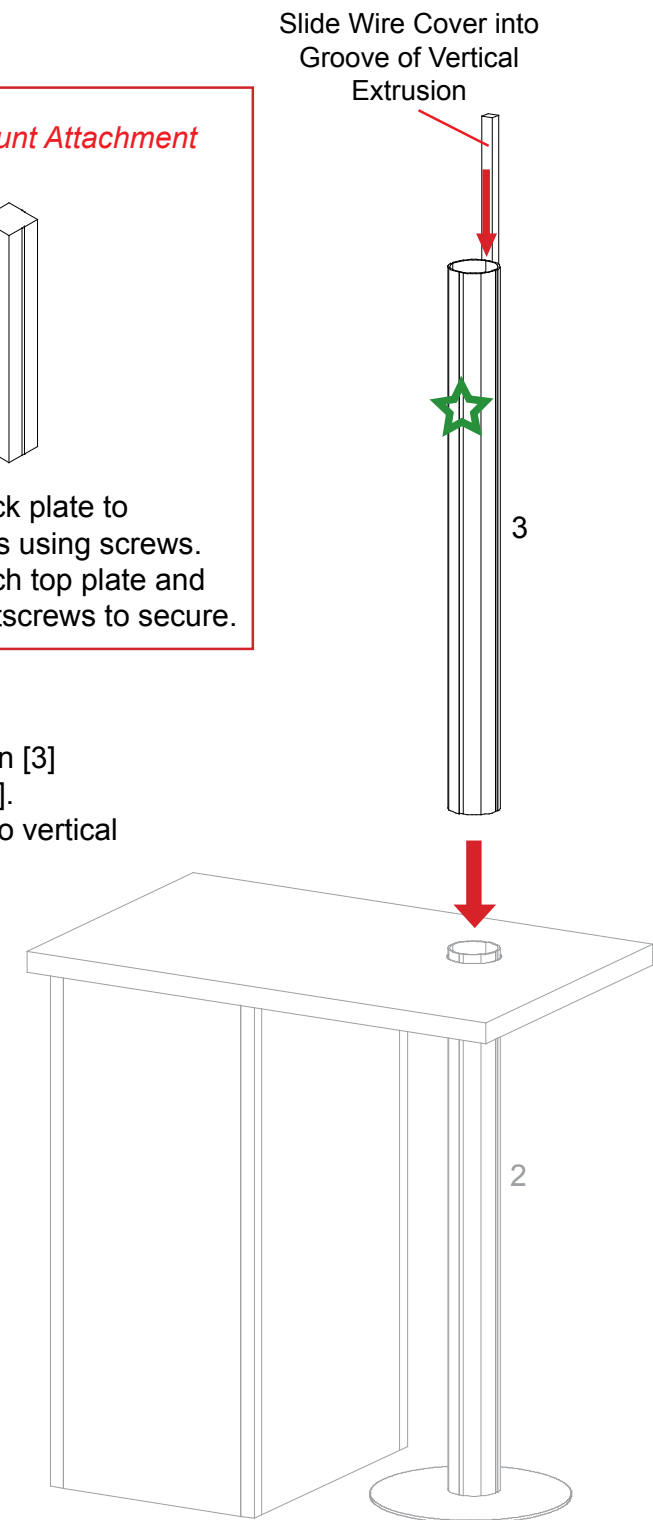
### Steps:

- Assemble counter base by starting at panel #1 and continue in numerical order.
- Velcro shelf supports to inside of assembled base.



### Steps (Cont'd):

- Attach vertical extrusion [3] atop lower extrusion [2].
- Attach monitor mount to vertical extrusion [3].

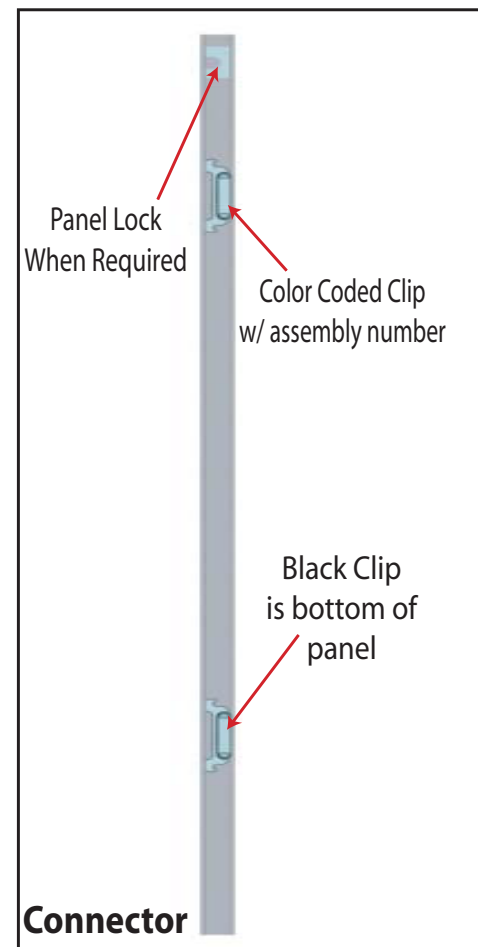


**WHEN DISASSEMBLING ALUMINUM EXTRUSION, TIGHTEN ALL SETSCREWS AND LOCKS TO PREVENT LOSS DURING SHIPPING**

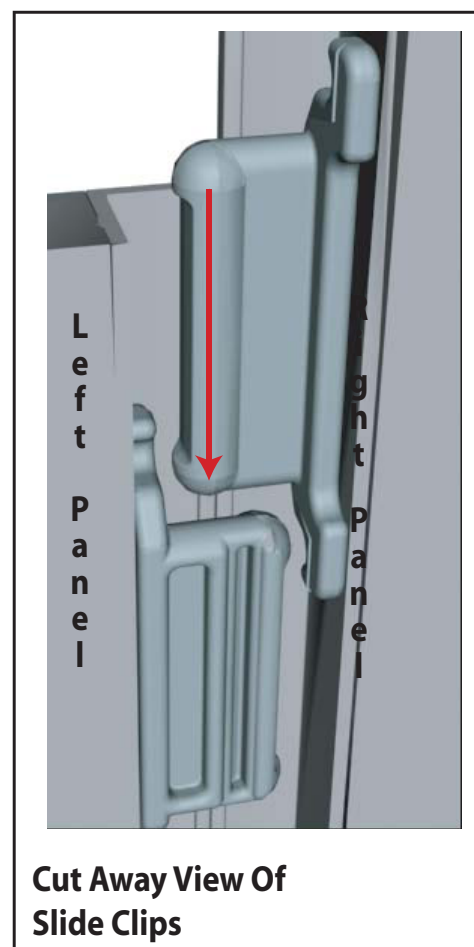
# euro lt

## Using Your Setup Instructions

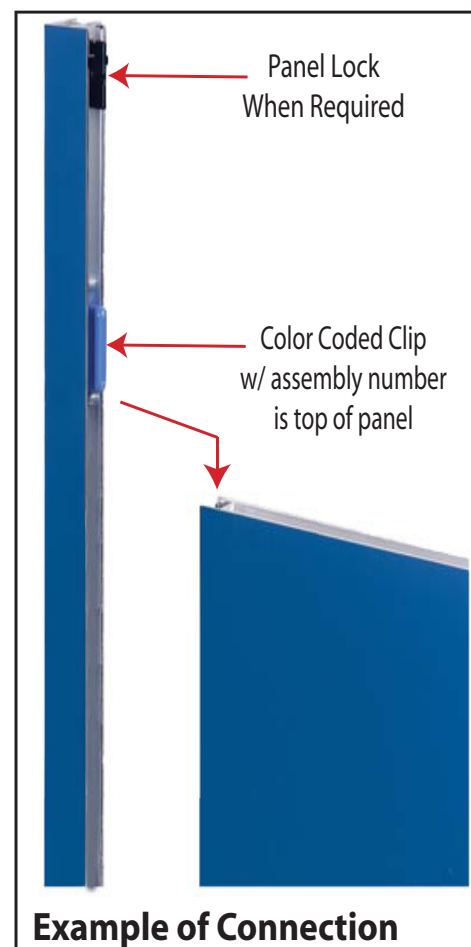
The Euro LT Setup Instructions are created specifically for your configuration. They are laid out sequentially in levels, including exploded views, and a logical series of detailed steps to assemble the main structure and components. We encourage you to study the instructions **before** attempting to assemble your exhibit.



Each component has 2 clips, the lower clip is ALWAYS black.



Components connect together by aligning them and sliding downward connecting clips together.



Configurations are assembled from left to right, usually starting with #1 and following the numbered sequence.

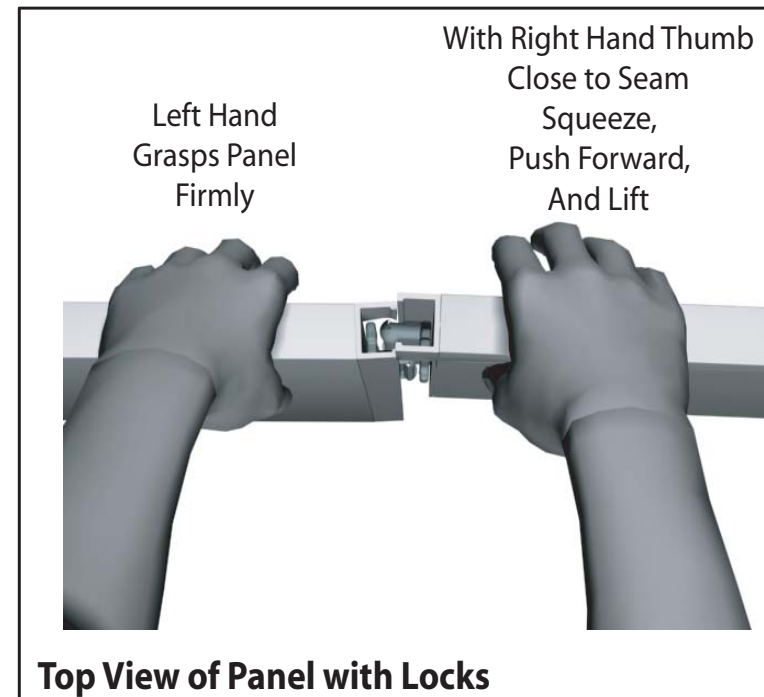
## Cleaning and Packing Your Display

- 1) When cleaning laminate countertops or panels use mild cleansers and a soft material such as cotton.
- 2) Keep all display components away from extreme heat and long exposure to sunlight to avoid warping and fading.
- 3) Retain all packing material. It will make re-packing much easier and will reduce the likelihood of shipping damage.

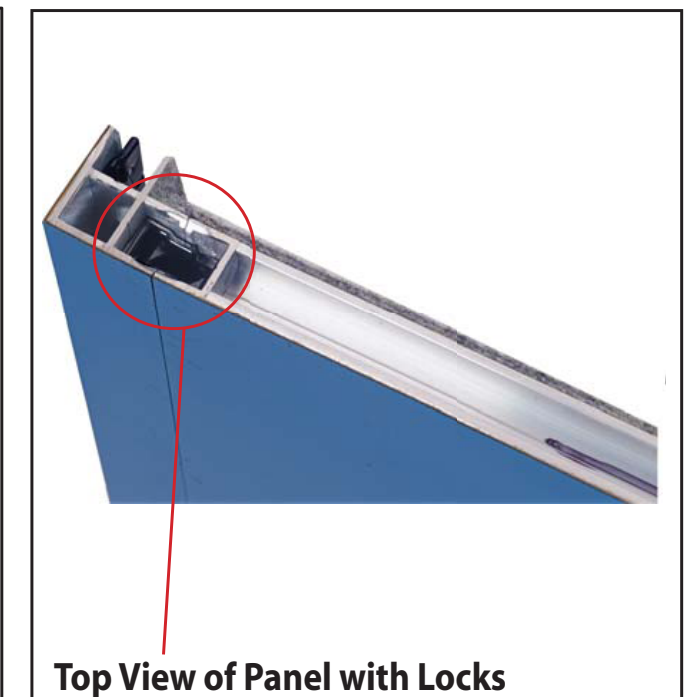
Level 1 = Blue  
 Level 2 = Red  
 Level 3 = Green  
 Level 4 = Black

**Color Code**

The top clip is color coded to distinguish which level. The color coded clip also contains the numbered label.

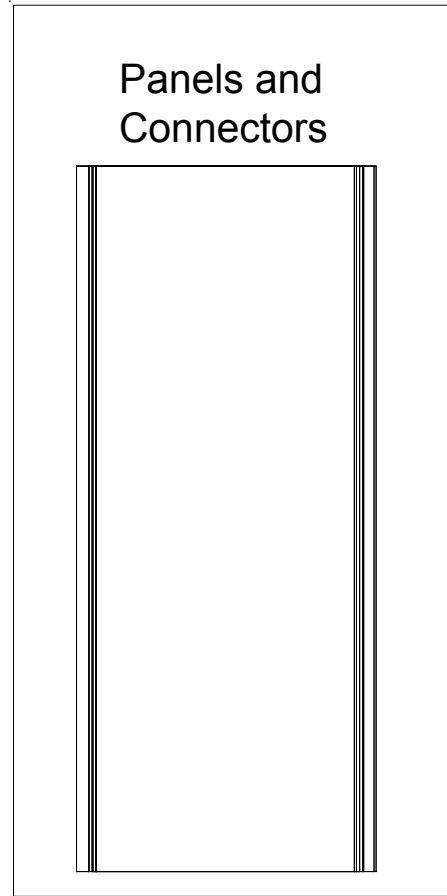


The first level of components contain panel locks that are located at the top of the panel for extra stability and seamless connection. When disassembling panels twist top connection slightly and lift right panel upward.

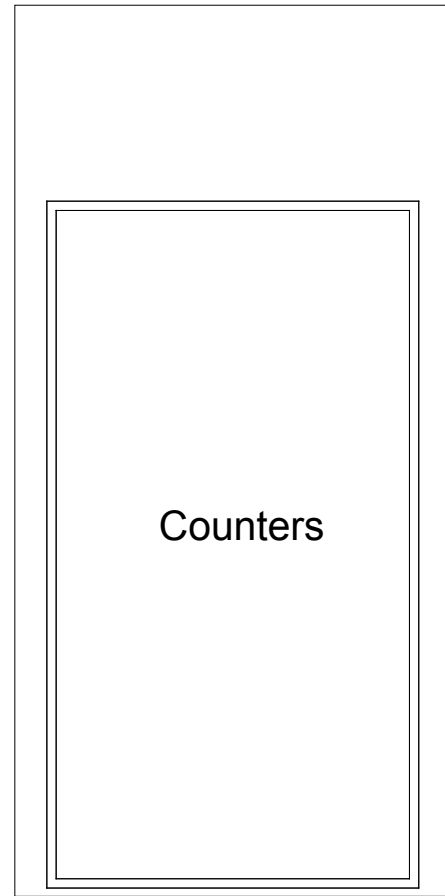


**WHEN DISASSEMBLING ALUMINUM EXTRUSION, TIGHTEN ALL SETSCREWS AND LOCKS TO PREVENT LOSS DURING SHIPPING**

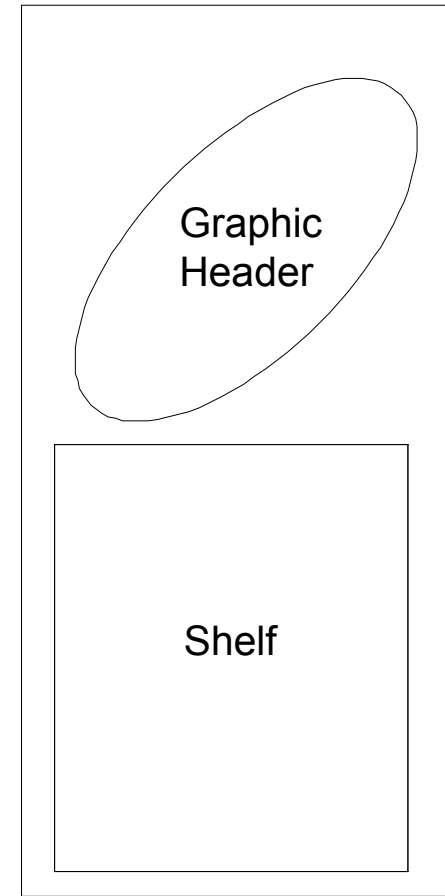
Workstation Components



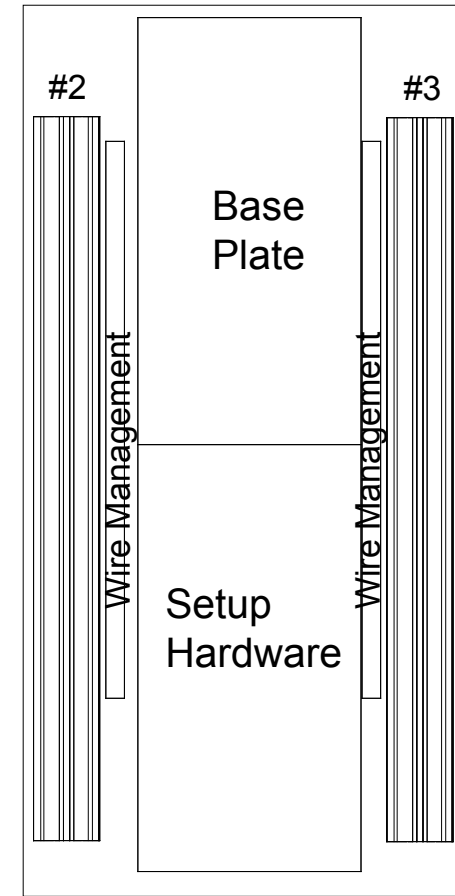
Level 1



Level 2



Level 3



Level 4

WHEN DISASSEMBLING ALUMINUM EXTRUSION, TIGHTEN ALL SETSCREWS AND LOCKS TO PREVENT LOSS DURING SHIPPING