

20'

Plan View

General Setup Instructions

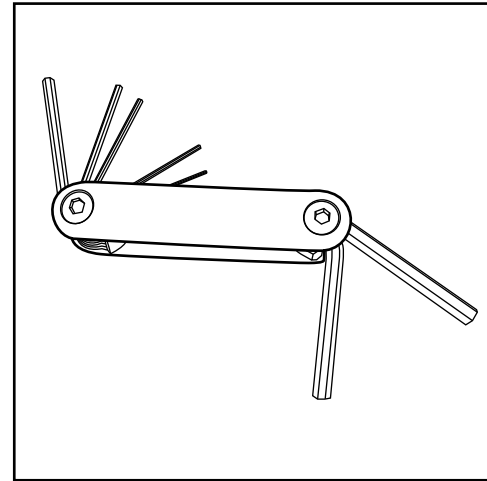
- Read entire setup instruction manual prior to unpacking parts and pieces.
- The setup instructions are created specifically for this configuration.
- Setup instructions are laid out sequentially in steps, including exploded views with detailed explanation for assembly.

Cleaning & Packing

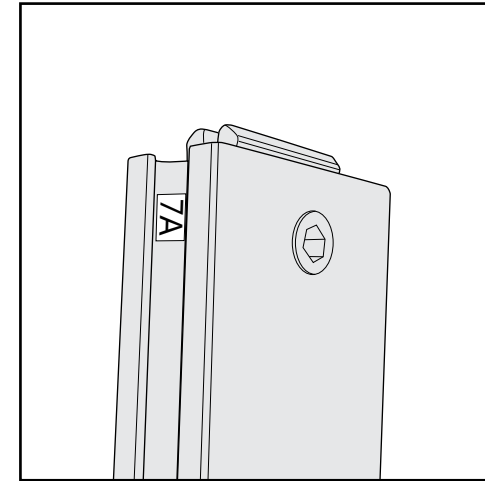
- For Cleaning Metal, Plex, & Laminate Parts: Use a **MILD NON-ABRASIVE** cleanser and soft cloth/paper towel to clean all surfaces.
- Keep exhibit components away from heat and prolonged sun exposure. **Heat and UV exposure will warp and fade components.**
- Retain all provided Packing Materials. All provided packing materials are for ease of repacking & component protection.

Disassembly

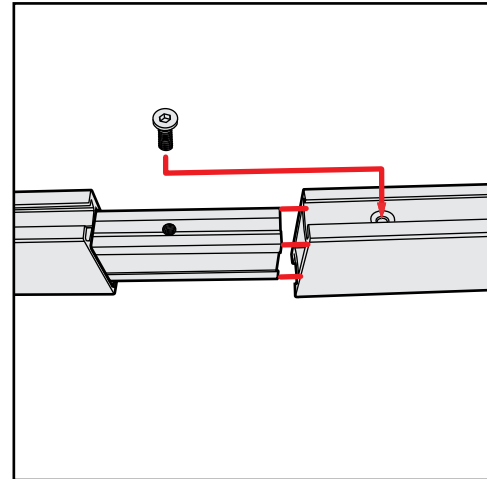
- For loss prevention, tighten all set screws and locks during disassembly.



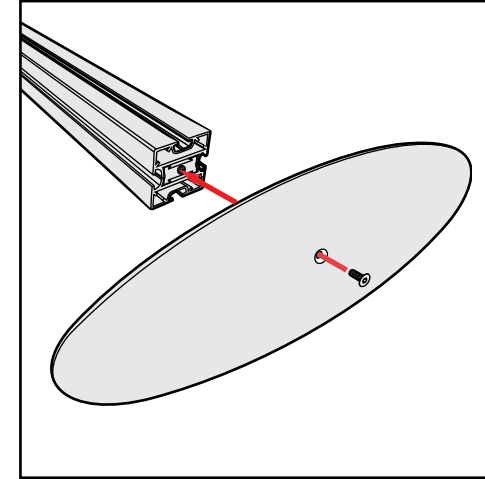
Hex Tool - Essential for Assembly



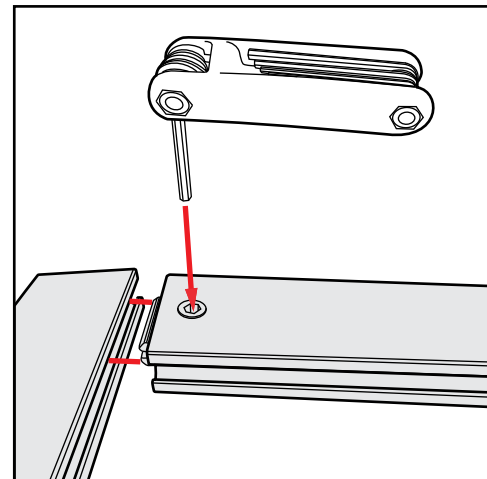
Part Identification - Numbering



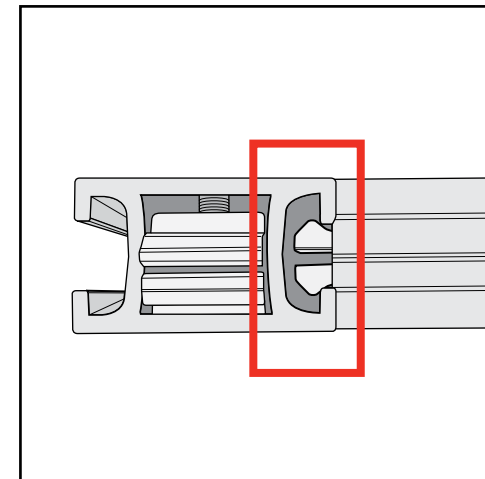
Spline Connection



Base Plate & Extrusion Connection



Extrusion & Lock Connection



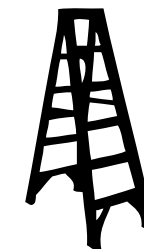
Engaged Lock



WARNING



DO NOT USE POWER TOOLS



LADDERS OR LIFTS
MAY BE REQUIRED

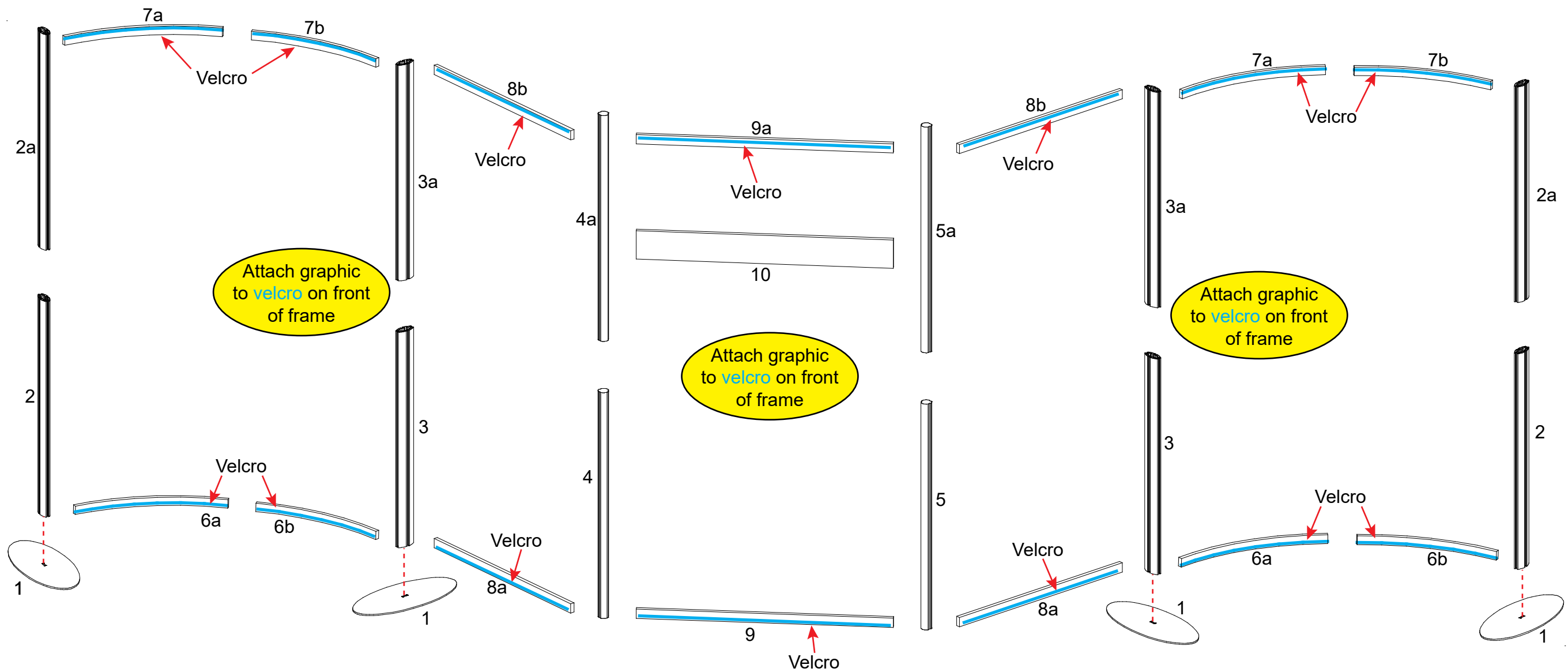


ALL CONNECTIONS MUST
BE TIGHTLY SECURED

Item	Qty	Description
1	4	Base Plate
2/2a	2/2	42" OP91 Vertical Extrusion
3/3a	2/2	42" OP91 Vertical Extrusion
4/4a	1/1	44" RSG531 Vertical Extrusion
5/5a	1/1	44" RSG531 Vertical Extrusion
6a/6b	2/2	29.5" Z45 Curved Horizontal Extrusion
7a/7b	2/2	29.5" Z45 Curved Horizontal Extrusion
8a/8b	2/2	38" Z45 Horizontal Extrusion
9/9a	1/1	46.126" Z45 Horizontal Extrusion
10	1	46.126" Z140 Horizontal Extrusion

Steps:

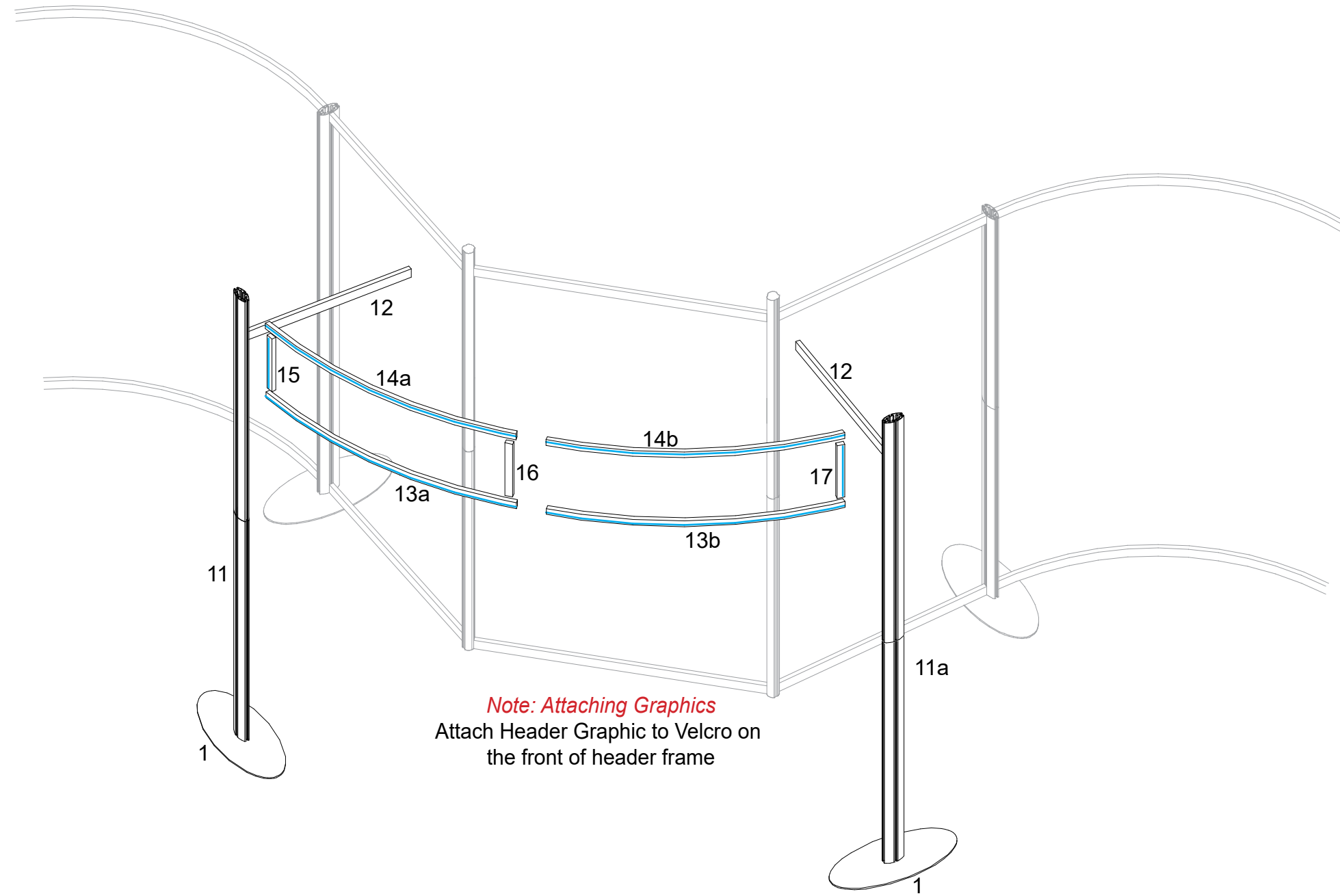
- 1) Attach base plates to bottom of verticals [2 & 3] as shown, see Detail D on General Instruction page.
- 2) Connect upper verticals [2a to 2], [3a to 3], [4a to 4] and [5a to 5] as shown.
- 3) Connect horizontals [6a to 6b] and [7a to 7b] together as shown.
- 4) Connect horizontal extrusions [6a/6b, 7a/7b, 8a, 8b, 9, 9a & 10] between vertical assemblies as shown.
- 5) Attach graphics to velcro on front of backwall as shown.



Item	Qty	Description
1	2	Base Plate
11/11a	1/1	96" OP91 Vertical Extrusion
12	2	30" Z45 Horizontal Extrusion
13a/13b	1/1	48.4" Z31 Curved Horizontal Extrusion
14a/14b	1/1	48.4" Z31 Curved Horizontal Extrusion
15	1	11.5" Z33 Vertical Extrusion
16	1	11.5" Z33 Vertical Extrusion
17	1	11.5" Z33 Vertical Extrusion

Steps:

- 1) Attach base plates to bottom of verticals [11, 11a] see Detail D on General Instruction page.
- 2) Connect verticals [11, 11a] to backwall structure using horizontal extrusions [12].
- 3) Connect header pieces [13a/13b, 14a/14b, 15, 16 and 17] together as shown.
Velcro must face forward and must be attached on edges of frame.
- 4) Connect assembled header between vertical assemblies as shown.



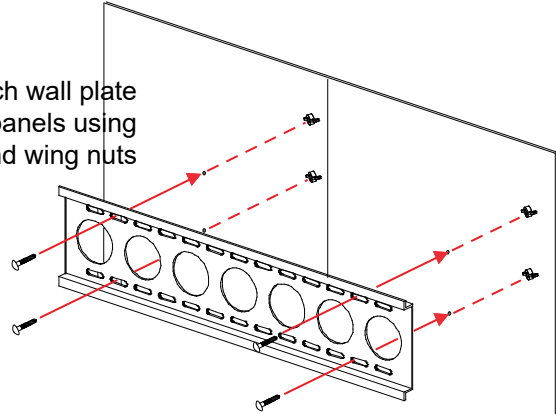
Note: Attaching Graphics
Attach Header Graphic to Velcro on the front of header frame

Steps:

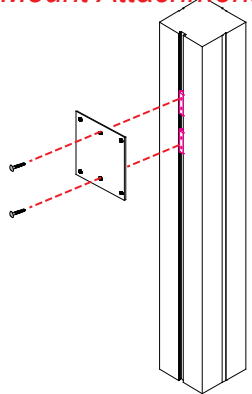
- 1) Attach lights to top of backwall as shown.
- 2) Attach large monitor mount to horizontal [10] as shown in detail.
- 3) Attach small monitor mounts to verticals as shown in detail.
- 4) Attach shelves to verticals as shown in detail.

*** Monitor Mount Attachment**

Attach wall plate to panels using bolts and wing nuts



*** Small Monitor Mount Attachment**



Attach back plate to connectors on vertical extrusion using screws. Then attach top plate and tighten setscrews to secure.

*** Shelf Attachment**

Connect shelf to shelf supports, attach to verticals and tighten lock to secure in place.

